

Corrugator Cut off Knife Set Identification

Please fill out this editable PDF form with your computer only to avoid reading error. Once completed, send to info@corrogo.shop

If you have the drawing, please send to us directly. If not, please complete the following form:

Machine Name: _____ Date of Machine Made: _____

Machine Model: _____ OEM No. (if available): _____

Identify which knife? Upper knife Lower knife Both are same
 Knife edge type? Both Serration Both Plain _____ Serration & _____ Plain

1. Note any part numbers or markings on the knife: _____

2. Dimension information (as per the below drawing):

A. Height: _____ mm; B. Length: _____ mm; C. Thickness: _____ mm;

3. Hole information:

3.1 Type of holes:

Counter-bored hole Countersunk hole Through hole Slotted hole

3.2 Quantity of holes: _____;

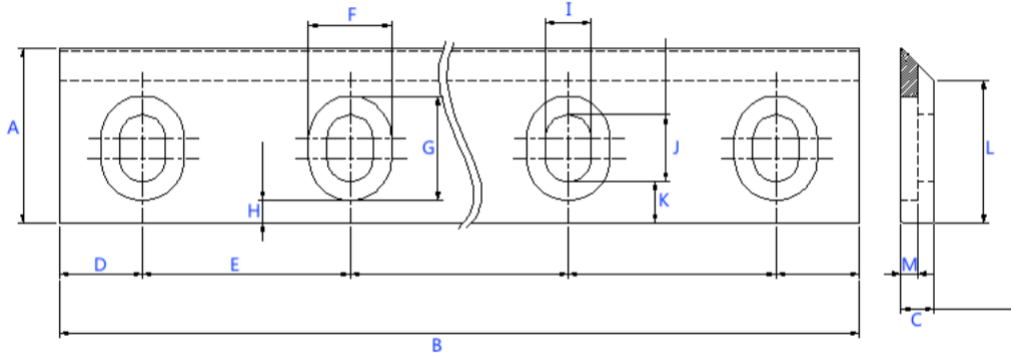
D. End to first hole center: _____ mm; E. Typical hole spacing: _____ mm;

F. Outer hole minor axis: _____ mm; G. Outer hole major axis: _____ mm;

H. Bottom edge to outer hole: _____ mm; I. Inner hole minor axis: _____ mm;

J. Inner hole major axis : _____ mm; K. Bottom edge to inner hole: _____ mm;

L. Bottom edge to knife tip: _____ mm; M. C'bore/C'sink depth: _____ mm;



Please sketch or note any special features:

Company Name: _____ Completed By: _____

Order ID: _____ Email: _____ Date: _____