

## Chuck Flange Installation Identification

Please fill out this editable PDF form with your computer only to avoid reading error. Once completed, send to info@corrogo.shop

If you have the drawing, please send to us. If not, complete this form per the below information:

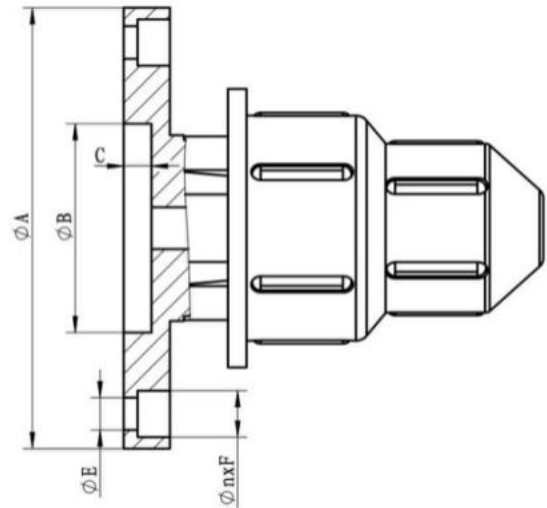
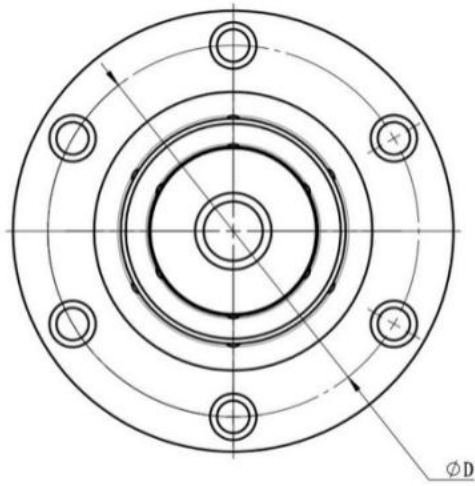
Machine Name: \_\_\_\_\_ Date of Machine Made: \_\_\_\_\_

Ordered Chuck Model: \_\_\_\_\_

Flange dimension information:

A. \_\_\_\_\_ mm; B. : \_\_\_\_\_ mm; C. : \_\_\_\_\_ mm;

D. : \_\_\_\_\_ mm; E. : \_\_\_\_\_ mm; F. : n X \_\_\_\_\_ mm;



Please sketch or note any special features:

Any special requirements you may have: \_\_\_\_\_.

Company Name: \_\_\_\_\_ Completed By: \_\_\_\_\_

Order ID: \_\_\_\_\_ Email: \_\_\_\_\_ Date: \_\_\_\_\_